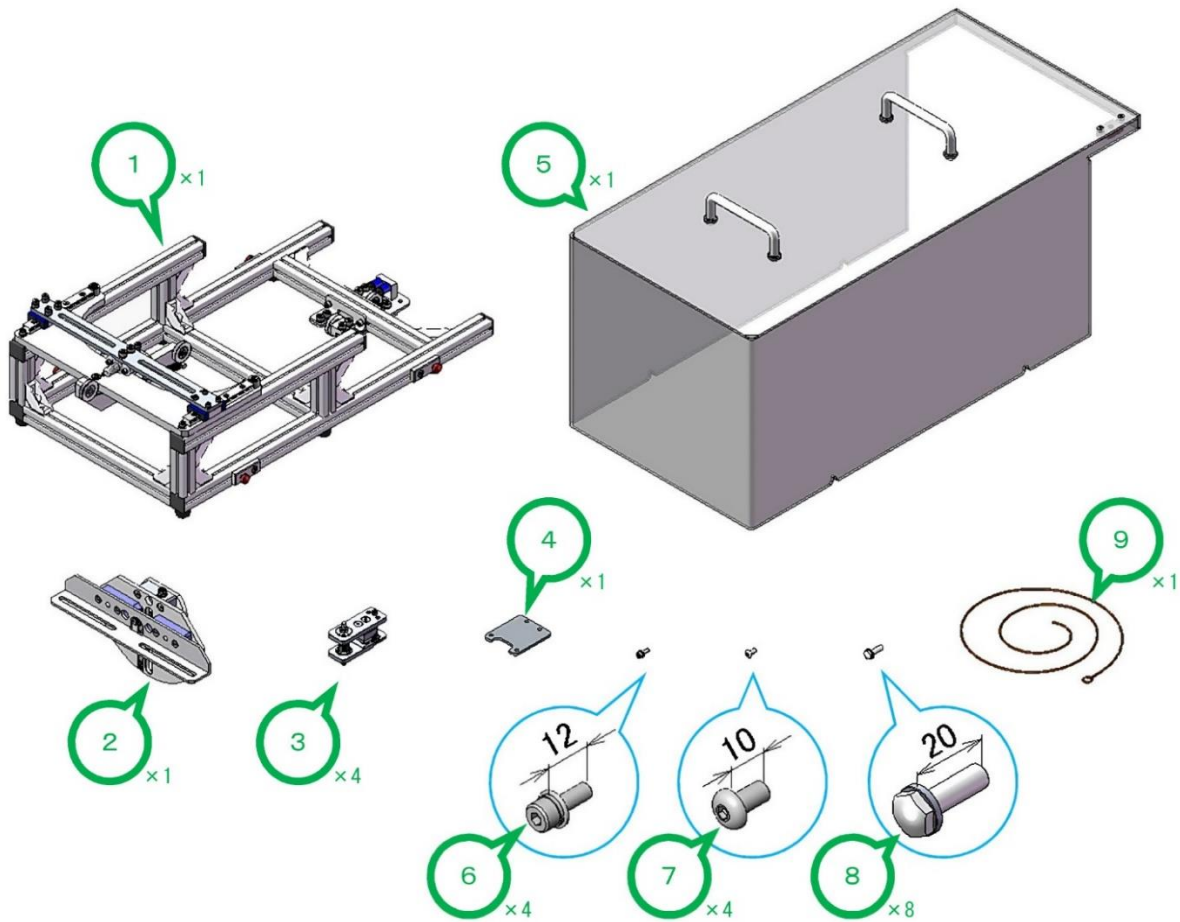


YUASA FT Packing List Mechanical Endurance Testing System

Packing List for Jig FT

Rotary Output Shaft Flange



No	NAME	TYPE	MANUFACTURE (MATERIAL)	NOTE
1	Basic unit, follower	ET241A001-001	YUASA SYSTEM	
2	Swing plate	ET202A007-002	YUASA SYSTEM	
3	Spinnable clamp	ET242A001-004	YUASA SYSTEM	
4	Plate bracket	ET200P013-003	YUASA SYSTEM	
5	Safety cover	ET500P003-030	YUASA SYSTEM	
6	Cap screw +SW +PW	M4x12	(Steel)	
7	Button head screw	M5x10	(Steel)	
8	Screw +SW	SSTBC6-20 + WSSS12-6-2	MISUMI	
9	Controlling String	ET265A002-001	YUASA SYSTEM	