

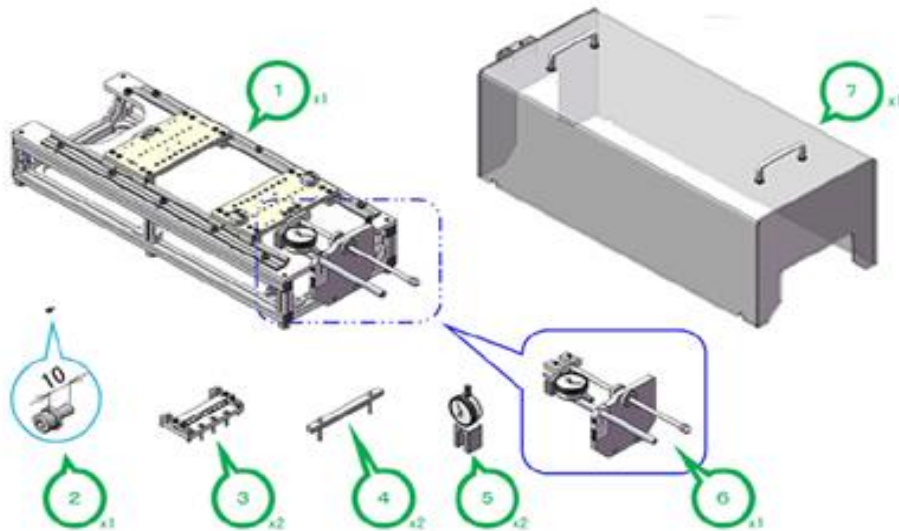
YUASA ST Packing List

Mechanical Endurance Testing System

Packing List for YUASA Jig ST

Instruction Manual ST Stretching Tester

This drawing shows each of the pieces that are part of the Jig.



	NAME	MANUFACTURE (MATERIAL)	NOTE
1	Basic unit	YUASA SYSTEM	
2	Washer assembled cap screw	(Stainless steel)	M4x10 (1=3)
3	Clamper base	YUASA SYSTEM	
4	Clamping bar	YUASA SYSTEM	
5	Squashing gauge	YUASA SYSTEM	
6	Minute adjuster	YUASA SYSTEM	
7	Safety cover	YUASA SYSTEM	