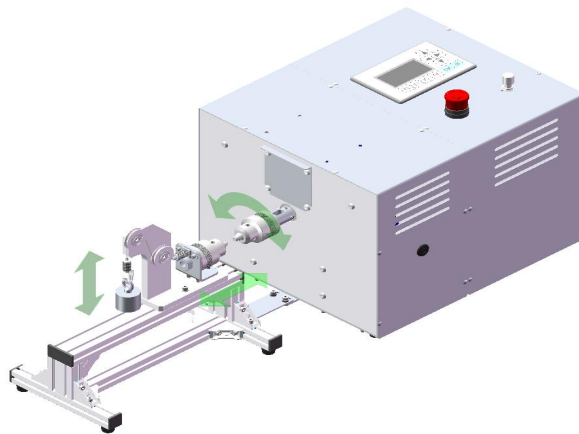
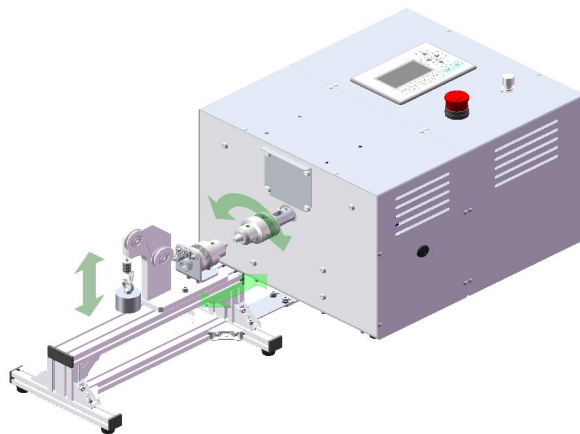


USER MANUAL
Torsion Test Jig for Linear Object
for Small Desktop Model

TW



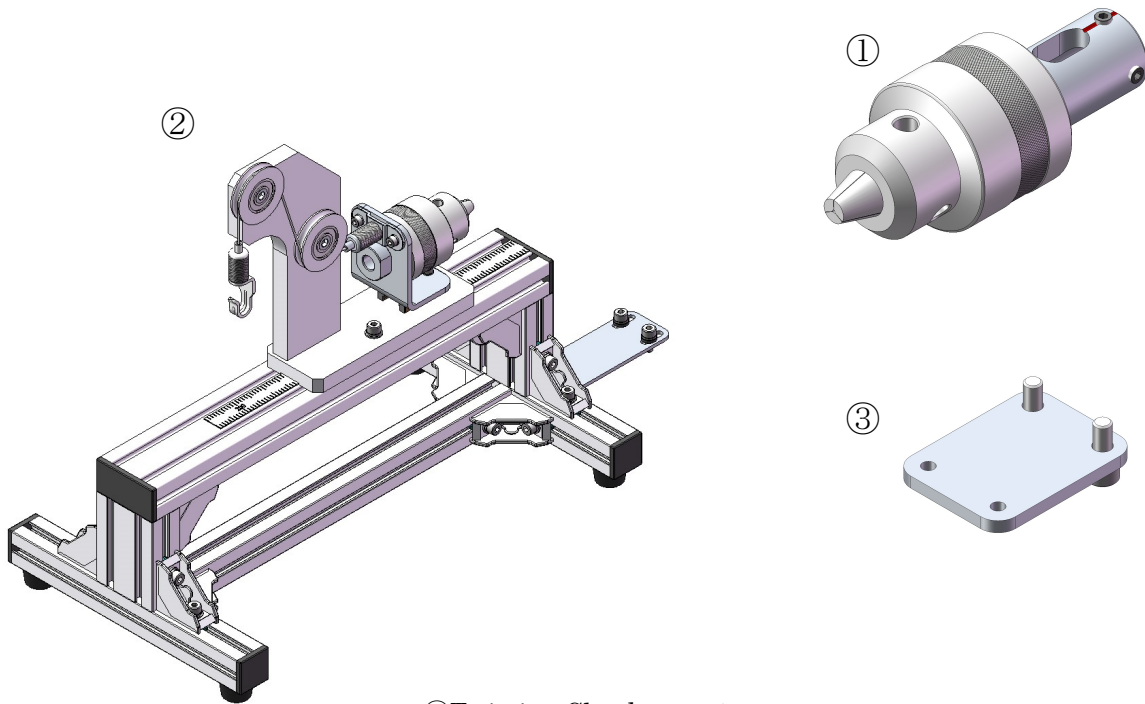


◇Product Overview

The jig is for Torsion Test of linear test samples like cables, harness and fibers.

Test Sample Size	ϕ 10mm or less (a part which passing a sample through the jig is ϕ 8 mm or less.)
Operating Angle	$0 \sim \pm 270^\circ$
Operating Speed	10~120r/min
Torque Capacity	1 N·m
Net Weight	Twisting side 3 kg, Linear side 1.6 kg

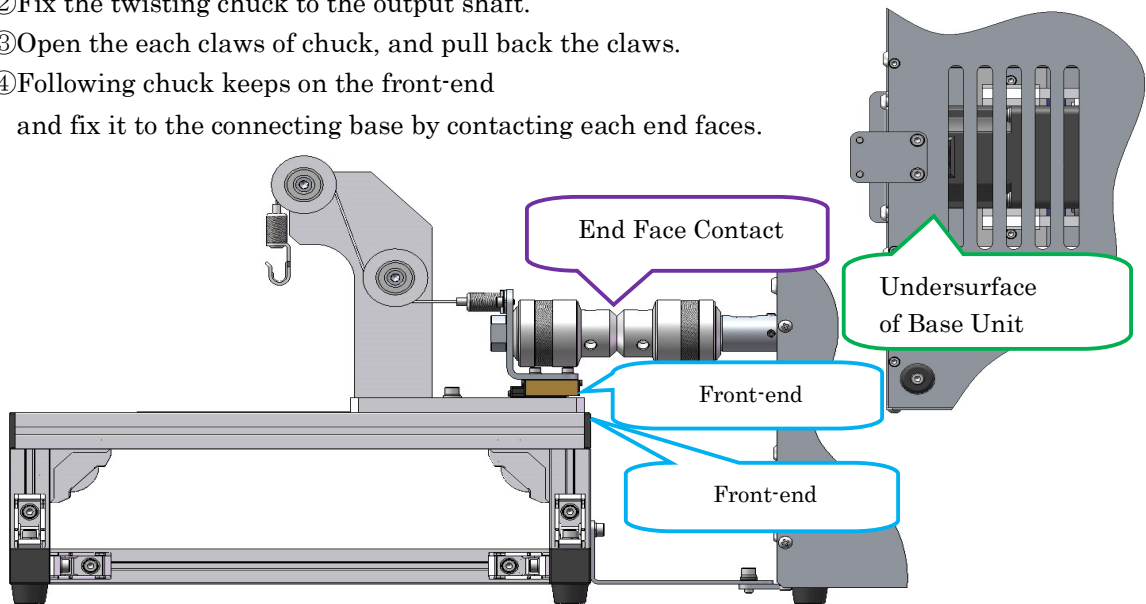
◇Component Parts



- ①Twisting Chuck × 1 set
- ②Following Chuck × 1 set
- ③Connecting Base × 1 set

◇How to Assemble the Jig [Tool : 2mm hexagon wrench, 3mm hexagon wrench]

- ①Fix the connecting base to undersurface of the base unit.
- ②Fix the twisting chuck to the output shaft.
- ③Open the each claws of chuck, and pull back the claws.
- ④Following chuck keeps on the front-end and fix it to the connecting base by contacting each end faces.



◇Maintenance

Maintenance-Free. Not use any parts which need to maintenance regularly.

◇Troubleshooting

If you have question, please contact distributor.

WARNING

- Always inspect this equipment by qualified personnel with special knowledge.
It may cause injury.

CAUTION

- Make sure of no-danger around this equipment before starting the operation.
- It is too dangerous to loosen bolts at moving part. Check that all bolts tighten sufficiently before starting the operation.
- DO NOT** use this equipment over basic specification.
- DO NOT** put hands into an moving part in operating.
- Always pull out the power plug completely when you check this equipment.
- DO NOT** repair, disassemble and modify. It may cause injury.
- DO NOT** attach any devices except which we provide.
It may cause damage of machine.
- Please dispose this equipment as industrial wastes.



YUASA SYSTEM CO., LTD.
<http://www.yuasa-system.jp>

KIBITSU FACTORY: 2291-1, Kibitsu, Kita-ku, Okayama-shi 701-1341 JAPAN

Tel. +81-86-287-9030/Fax. +81-86-287-2298

TOKYO OFFICE: 3F, Shinbashi SN BLDG, 5-7-10, Shinbashi, Minato-ku 105-0004 JAPAN

Tel. +81-3-3578-8515/Fax. +81-3-3578-8516

OSAKA OFFICE: 8F, Shin-Osaka Ikushima BLDG, 5-1-3, Miyahara, Yodogawa-ku, Osaka-shi 532-0003 JAPAN

Tel. +81-6-6394-8175/Fax. +81-6-6397-2632

The contents of this user manual may change to improve without notice.